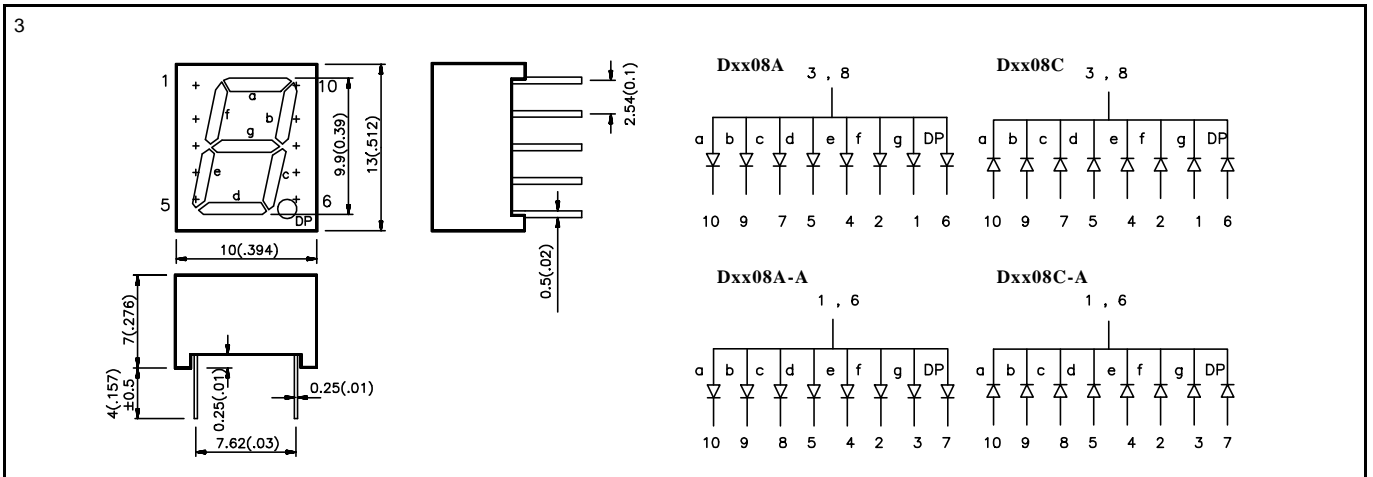
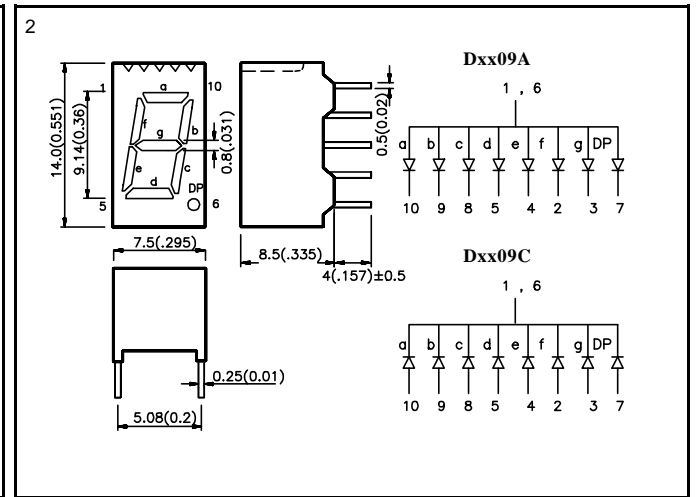
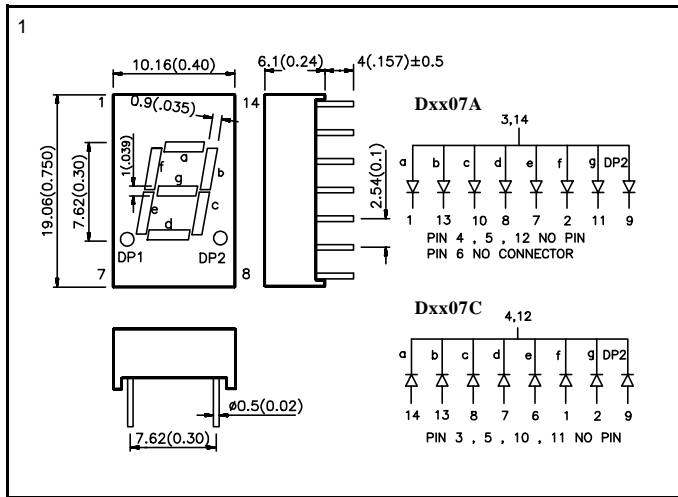


Single Digit Displays

Shape	Part Number	Emitting Color	Emitting Material	Wave Length (nm)	Luminous Intensity IF=10mA (ucd) Min. Max.	Common	Figure No.
0.3"(7.62mm)	DHR07A / DHR07C	Red	GaP	700	360 - 1400	Anode / Cathode	1
	DUR07A / DUR07C	Red	GaAsP/GaP	625	2200 - 9000	Anode / Cathode	
	DMR07A / DMR07C	Red	GaAlAs	660	5600 - 14000	Anode / Cathode	
	DUG07A / DUG07C	Green	GaP	565	1400 - 5600	Anode / Cathode	
	DUY07A / DUY07C	Yellow	GaAsP/GaP	590	1400 - 5600	Anode / Cathode	

0.36"(9.14mm)	DHR09A / DHR09C	Red	GaP	700	240 - 900	Anode / Cathode	2
	DUR09A / DUR09C	Red	GaAsP/GaP	625	900 - 3600	Anode / Cathode	
	DMR09A / DMR09C	Red	GaAlAs	660	2200 - 9000	Anode / Cathode	
	DUG09A / DUG09C	Green	GaP	565	900 - 3600	Anode / Cathode	
	DUY09A / DUY09C	Yellow	GaAsP/GaP	590	900 - 3600	Anode / Cathode	

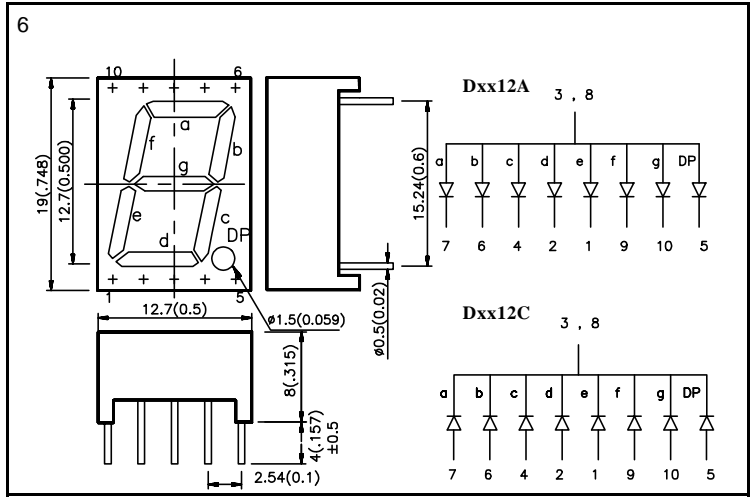
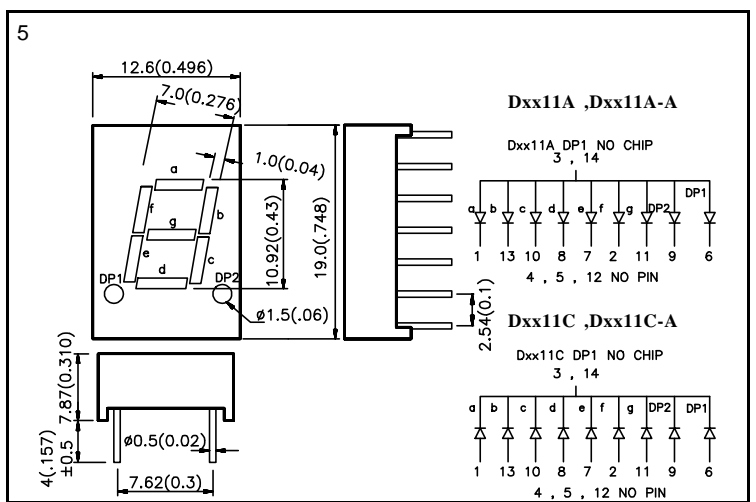
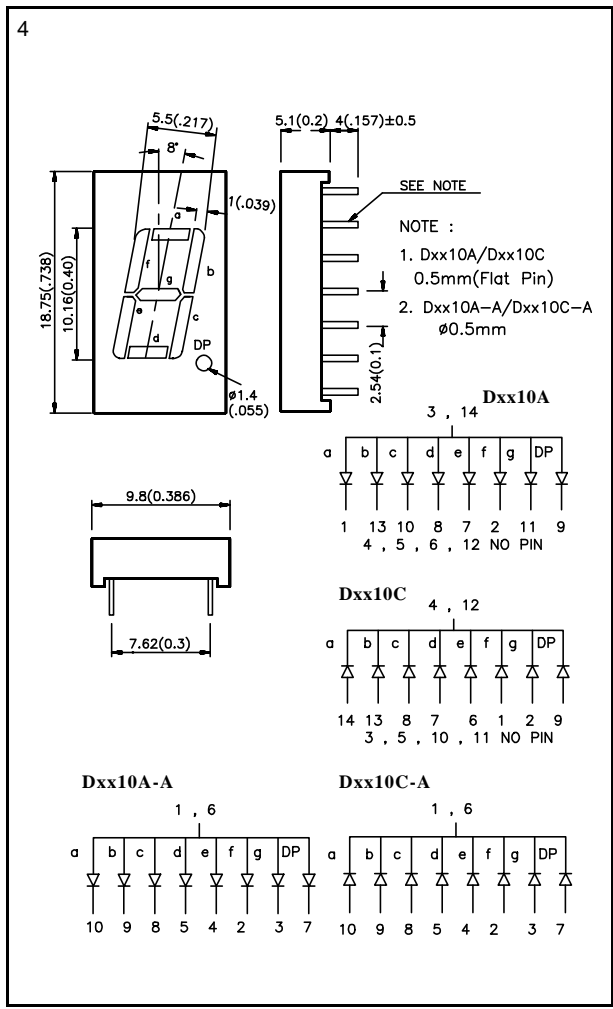
0.39"(9.9mm)	DHR08A / DHR08C	Red	GaP	700	560 - 2200	Anode / Cathode	3
	DHR08A-A / DHR08C-A						
	DUR08A / DUR08C	Red	GaAsP/GaP	625	2200 - 9000	Anode / Cathode	
	DUR08A-A / DUR08C-A						
	DMR08A / DMR08C	Red	GaAlAs	660	5600 - 14000	Anode / Cathode	
	DMR08A-A / DMR08C-A						
	DUG08A / DUG08C	Green	GaP	565	1400 - 5600	Anode / Cathode	
	DUG08A-A / DUG08C-A						
DUY08A / DUY08C	Yellow	GaAsP/GaP	590	1400 - 5600	Anode / Cathode		
DUY08A-A / DUY08C-A							



Package Dimensions Units : mm
 Tolerance : .25mm (0.01")

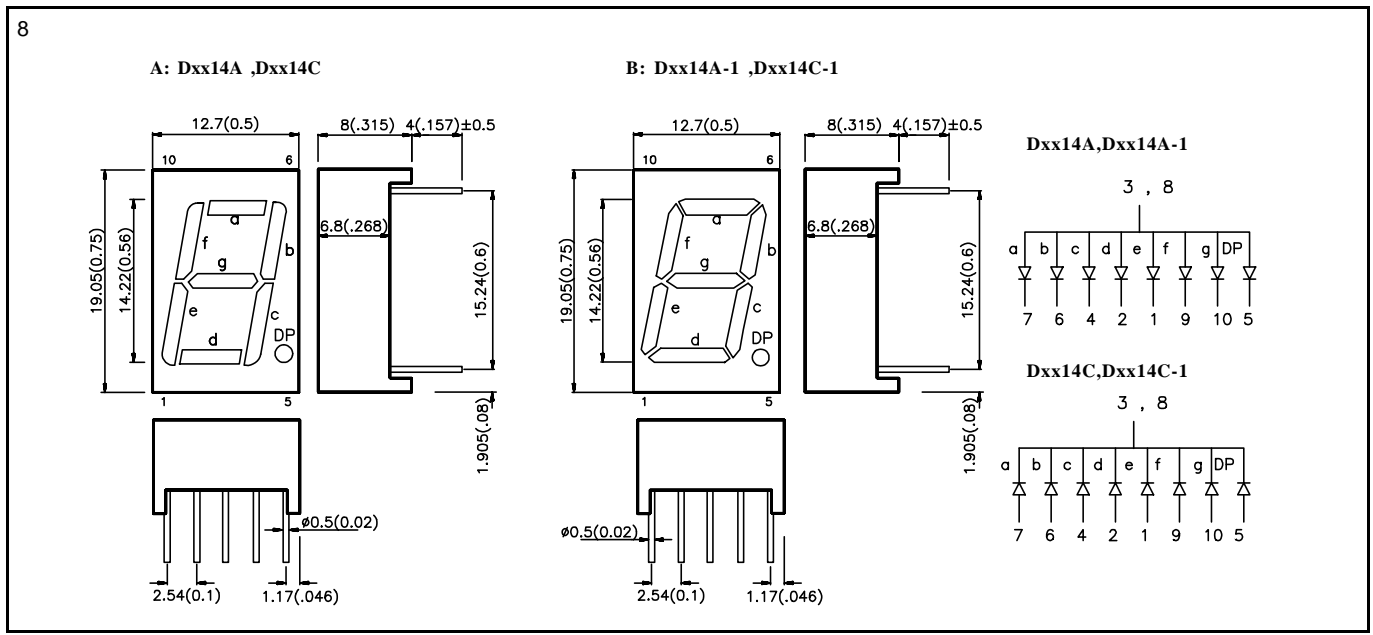
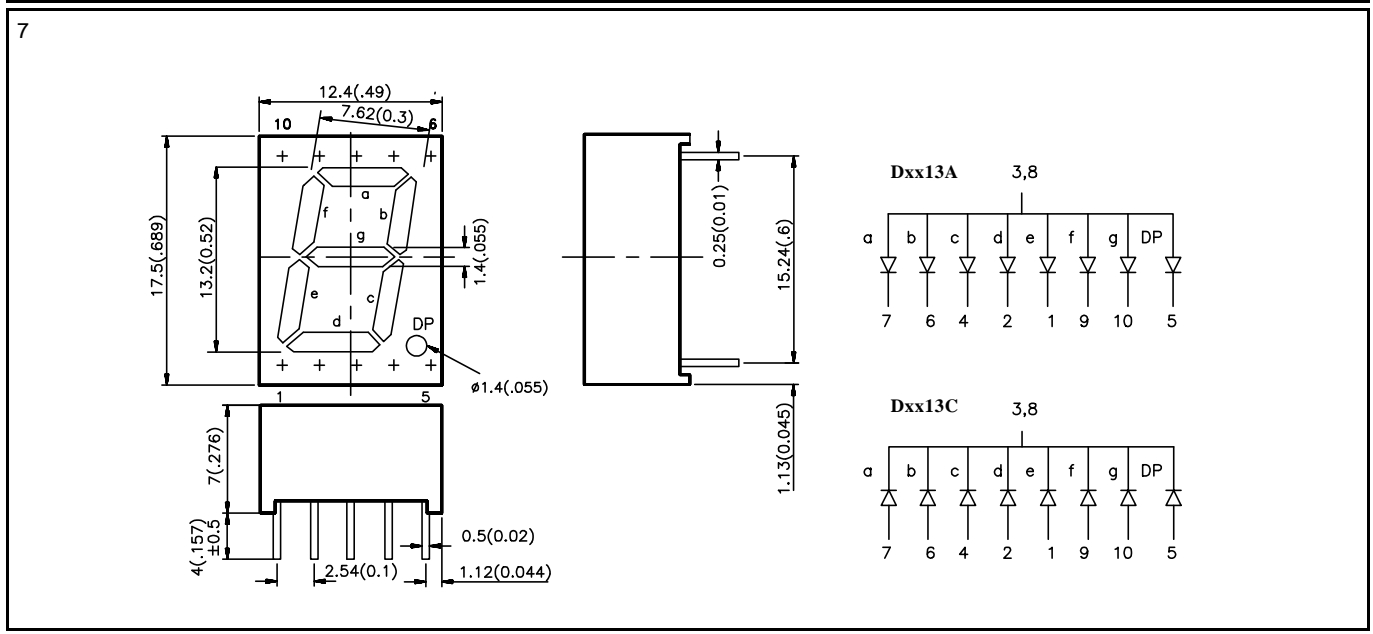
Single Digit Displays

Shape	Part Number	Emitting Color	Emitting Material	Wave Length (nm)	Luminous Intensity IF=10mA (ucd) Min. Max.	Common	Figure No.
0.4"(10.16mm)	DHR10A / DHR10C	Red	GaP	700	900 - 2200	Anode / Cathode	4
	DHR10A-A / DHR10C-A						
	DUR10A / DUR10C	Red	GaAsP/GaP	625	2200 - 9000	Anode / Cathode	
	DUR10A-A / DUR10C-A						
	DMR10A / DMR10C	Red	GaAlAs	660	9000 - 30000	Anode / Cathode	
	DMR10A-A / DMR10C-A						
	DUG10A / DUG10C	Green	GaP	565	1400 - 5600	Anode / Cathode	
	DUG10A-A / DUG10C-A						
DUY10A / DUY10C	Yellow	GaAsP/GaP	590	1400 - 5600	Anode / Cathode		
DUY10A-A / DUY10C-A							
0.43"(10.92mm)	DHR11A / DHR11C	Red	GaP	700	360 - 900	Anode / Cathode	5
	DHR11A-A / DHR11C-A						
	DUR11A / DUR11C	Red	GaAsP/GaP	625	2200 - 5600	Anode / Cathode	
	DUR11A-A / DUR11C-A						
	DMR11A / DMR11C	Red	GaAlAs	660	3600 - 21000	Anode / Cathode	
	DMR11A-A / DMR11C-A						
	DUG11A / DUG11C	Green	GaP	565	1400 - 3600	Anode / Cathode	
	DUG11A-A / DUG11C-A						
DUY11A / DUY11C	Yellow	GaAsP/GaP	590	1400 - 3600	Anode / Cathode		
DUY11A-A / DUY11C-A							
0.5"(12.7mm)	DHR12A / DHR12C	Red	GaP	700	900 - 2200	Anode / Cathode	6
	DUR12A / DUR12C						
	DMR12A / DMR12C	Red	GaAlAs	660	5600 - 21000	Anode / Cathode	
	DUG12A / DUG12C						
	DUY12A / DUY12C	Yellow	GaAsP/GaP	590	2200 - 5600	Anode / Cathode	
	DUY12A-A / DUY12C-A						



Single Digit Displays

Shape	Part Number	Emitting Color	Emitting Material	Wave Length (nm)	Luminous Intensity IF=10mA (ucd) Min. Max.	Common	Figure No.
0.52"(13.2mm)	DHR13A / DHR13C	Red	GaP	700	900 - 2200	Anode / Cathode	7
	DUR13A / DUR13C	Red	GaAsP/GaP	625	2200 - 5600	Anode / Cathode	
	DMR13A / DMR13C	Red	GaAlAs	660	5600 - 21000	Anode / Cathode	
	DUG13A / DUG13C	Green	GaP	565	5600 - 17000	Anode / Cathode	
	DUY13A / DUY13C	Yellow	GaAsP/GaP	590	2200 - 5600	Anode / Cathode	
0.56"(14.2mm)	DHR14A / DHR14C	Red	GaP	700	560 - 1400	Anode / Cathode	8
	DHR14A-1 / DHR14C-1						
	DUR14A / DUR14C	Red	GaAsP/GaP	625	2200 - 5600	Anode / Cathode	
	DUR14A-1 / DUR14C-1						
	DMR14A / DMR14C	Red	GaAlAs	660	5600 - 21000	Anode / Cathode	
	DMR14A-1 / DMR14C-1						
	DUG14A / DUG14C	Green	GaP	565	5600 - 14000	Anode / Cathode	
	DUG14A-1 / DUG14C-1						
DUY14A / DUY14C	Yellow	GaAsP/GaP	590	2200 - 5600	Anode / Cathode		
DUY14A-1 / DUY14C-1							

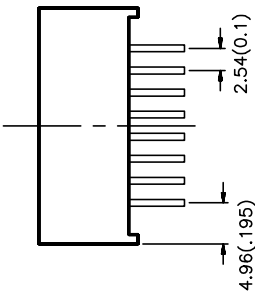
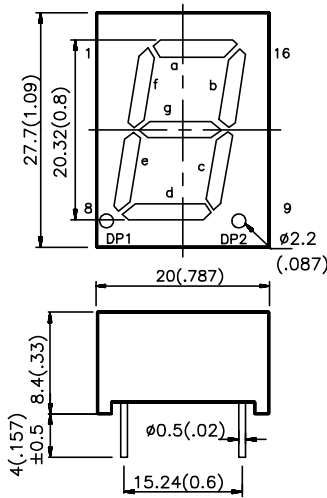


Package Dimensions Units : mm
Tolerance : .25mm (0.01")

Single Digit Displays

Shape	Part Number	Emitting Color	Emitting Material	Wave Length (nm)	Luminous Intensity IF=10mA (ucd) Min. Max.	Common	Figure No.
0.8" (20.32mm)	DHR20A / DHR20C	Red	GaP	700	360 - 1400	Anode / Cathode	9
	DHR20A-A / DHR20C-A						
	DHR20A-B / DHR20C-B						
	DHR20A-1 / DHR20C-1						
	DUR20A / DUR20C	Red	GaAsP/GaP	625	2200 - 9000	Anode / Cathode	
	DUR20A-A / DUR20C-A						
	DUR20A-B / DUR20C-B						
	DUR20A-1 / DUR20C-1						
	DMR20A / DMR20C	Red	GaAlAs	660	9000 - 21000	Anode / Cathode	
	DMR20A-A / DMR20C-A						
	DMR20A-B / DMR20C-B						
	DMR20A-1 / DMR20C-1						
	DUG20A / DUG20C	Green	GaP	565	3600 - 14000	Anode / Cathode	
	DUG20A-A / DUG20C-A						
	DUG20A-B / DUG20C-B						
	DUG20A-1 / DUG20C-1						
DUY20A / DUY20C	Yellow	GaAsP/GaP	590	1400 - 3600	Anode / Cathode		
DUY20A-A / DUY20C-A							
DUY20A-B / DUY20C-B							
DUY20A-1 / DUY20C-1							

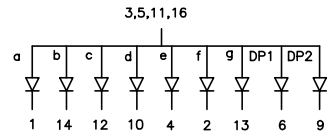
9



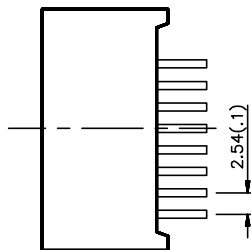
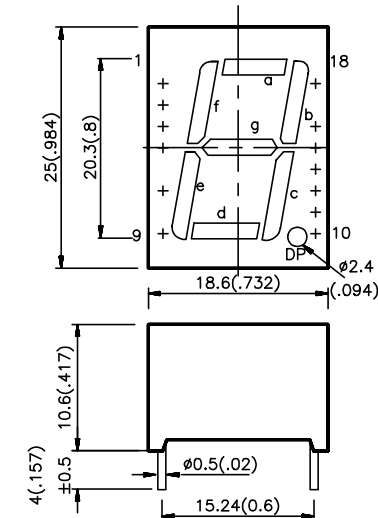
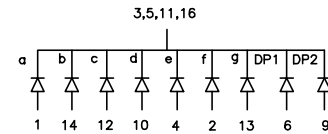
**Dxx20A , Dxx20C
Dxx20A-A , Dxx20C-A
Dxx20A-B , Dxx20C-B**

Dxx20A/Dxx20C DP1 NO CHIP
Dxx20A-B/Dxx20C-B DP2 NO CHIP

Dxx20A , Dxx20A-A , Dxx20A-B

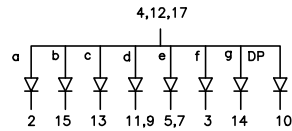


Dxx20C , Dxx20C-A , Dxx20C-B

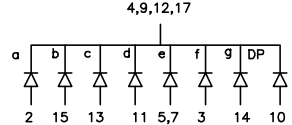


Dxx20A-1, Dxx20C-1

Dxx20A-1

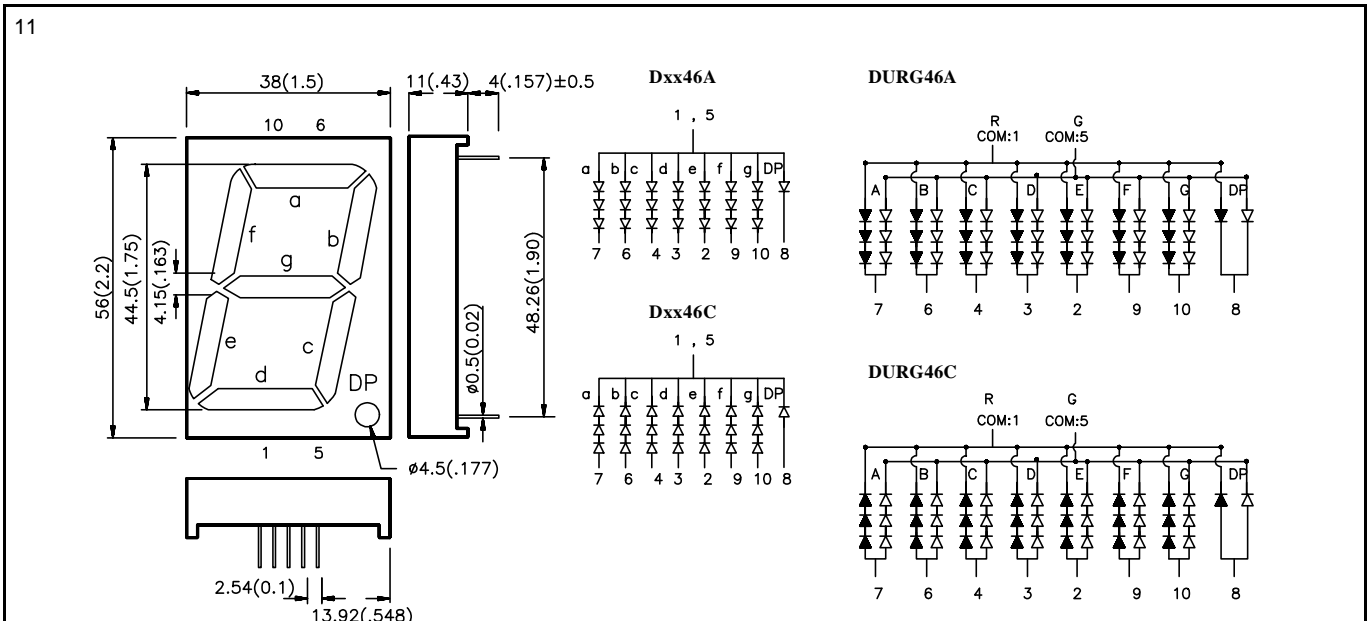
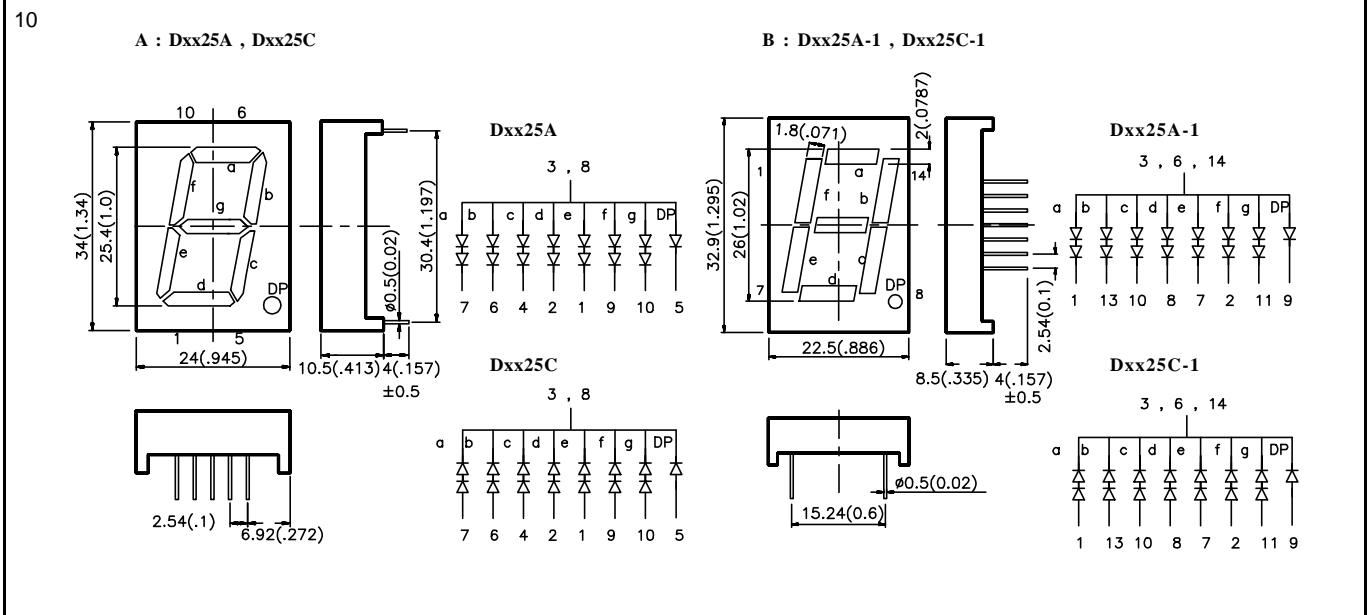


Dxx20C-1



Single Digit Displays

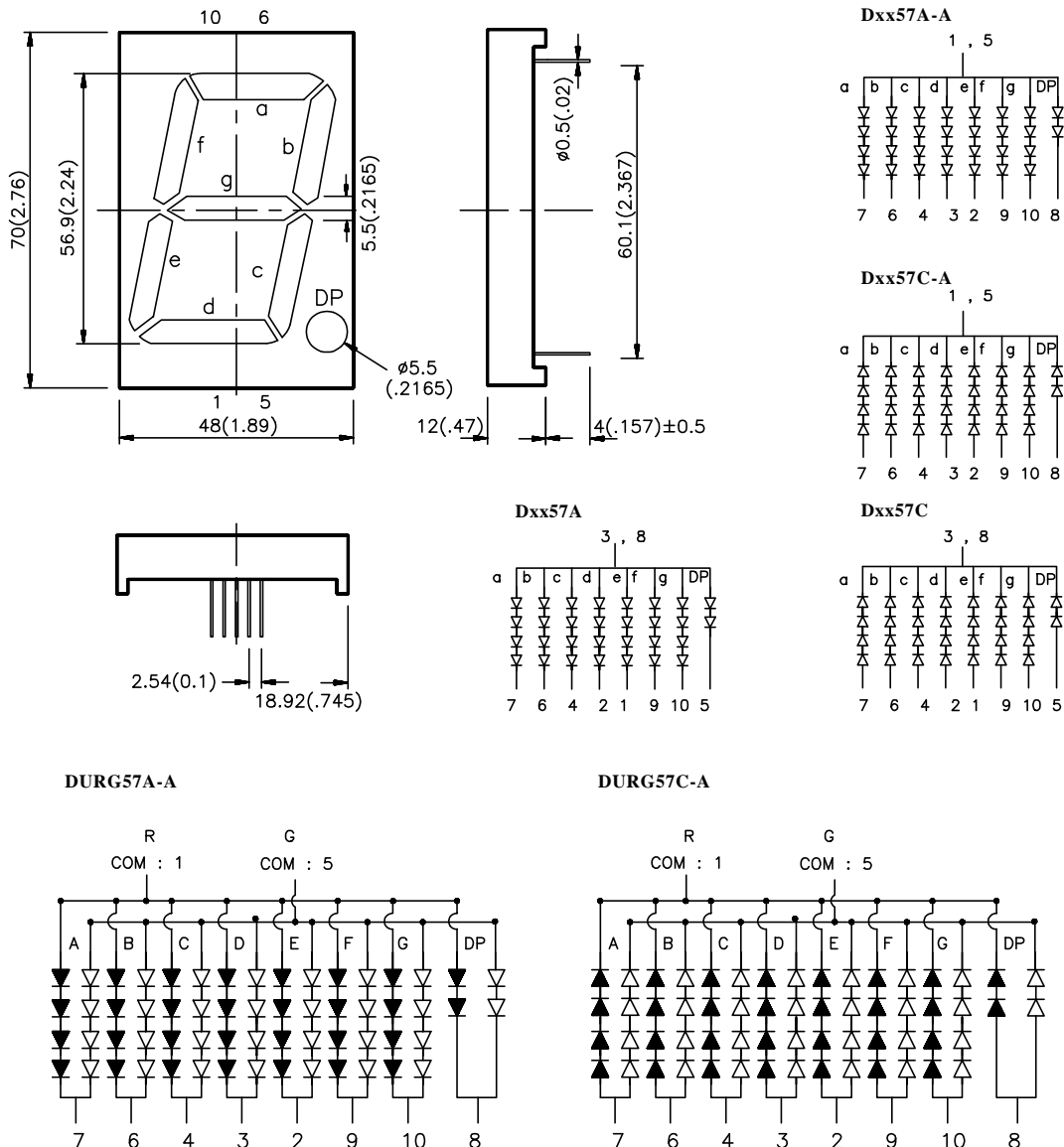
Shape	Part Number	Emitting Color	Emitting Material	Wave Length (nm)	Luminous Intensity IF=10mA (ucd) Min. Max.	Common	Figure No.
1.0"(25.4mm)	DHR25A / DHR25C	Red	GaP	700	900 - 2200	Anode / Cathode	10
	DHR25A-1 / DHR25C-1						
	DUR25A / DUR25C	Red	GaAsP/GaP	625	5600 - 14000	Anode / Cathode	
	DUR25A-1 / DUR25C-1						
	DMR25A / DMR25C	Red	GaAlAs	660	14000 - 31000	Anode / Cathode	
	DMR25A-1 / DMR25C-1						
	DUG25A / DUG25C	Green	GaP	565	9000 - 22000	Anode / Cathode	
	DUG25A-1 / DUG25C-1						
DUY25A / DUY25C	Yellow	GaAsP/GaP	590	3600 - 9000	Anode / Cathode		
DUY25A-1 / DUY25C-1							
1.8"(45mm)	DHR46A / DHR46C	Red	GaP	700	900 - 2200	Anode / Cathode	11
	DUR46A / DUR46C	Red	GaAsP/GaP	625	3600 - 21000	Anode / Cathode	
	DMR46A / DMR46C	Red	GaAlAs	660	14000 - 31000	Anode / Cathode	
	DUG46A / DUG46C	Green	GaP	565	3600 - 9000	Anode / Cathode	
	DUY46A / DUY46C	Yellow	GaAsP/GaP	590	3600 - 9000	Anode / Cathode	
	DURG46A / DURG46C	Red	GaAsP/GaP	625	3600 - 21000	Anode / Cathode	
		Green	GaP	565	3600 - 9000		



Single Digit Displays

Shape	Part Number	Emitting Color	Emitting Material	Wave Length (nm)	Luminous Intensity IF=10mA (ucd)		Common	Figure No.
					Min.	Max.		
2.3"(57mm)	DHR57A / DHR57C	Red	GaP	700	900 - 2000	Anode / Cathode	12	
	DHR57A-A / DHR57C-A							
	DUR57A / DUR57C	Red	GaAsP/GaP	625	5600 - 14000	Anode / Cathode		
	DUR57A-A / DUR57C-A							
	DMR57A / DMR57C	Red	GaAlAs	660	14000 - 31000	Anode / Cathode		
	DMR57A-A / DMR57C-A							
	DUG57A / DUG57C	Green	GaP	565	3600 - 9000	Anode / Cathode		
	DUG57A-A / DUG57C-A							
	DUY57A / DUY57C	Yellow	GaAsP/GaP	590	3600 - 9000	Anode / Cathode		
	DUY57A-A / DUY57C-A							
DURG57A-A / DURG57C-A	Red	GaAsP/GaP	625	5600 - 14000	Anode / Cathode			
	Green	GaP	565	3600 - 9000				

12



Single Digit Displays

Shape	Part Number	Emitting Color	Emitting Material	Wave Length (nm)	Luminous Intensity IF=10mA (ucd) Min. Max.	Common	Figure No.
4.0"(100mm)	DUR100A / DUR100C	Red	GaAsP/GaP	625	3600 - 14000	Anode / Cathode	13
	DUR100A-A / DUR100C-A						
	DMR100A / DMR100C	Red	GaAlAs	660	14000 - 31000	Anode / Cathode	
	DMR100A-A / DMR100C-A						
	DUG100A / DUG100C	Green	GaP	565	3600 - 9000	Anode / Cathode	
	DUG100A-A / DUG100C-A						
	DUY100A / DUY100C	Yellow	GaAsP/GaP	590	3600 - 9000	Anode / Cathode	
DUY100A-A / DUY100C-A							
5.0"(127mm)	DUR127A / DUR127C	Red	GaAsP/GaP	625	14000 - 21000	Anode / Cathode	14
	DMR127A / DMR127C	Red	GaAlAs	660	31000 - 50000	Anode / Cathode	
	DMG127A / DMG127C	Green	GaP	565	21000 - 31000	Anode / Cathode	
	DUY127A / DUY127C	Yellow	GaAsP/GaP	590	9000 - 14000	Anode / Cathode	

